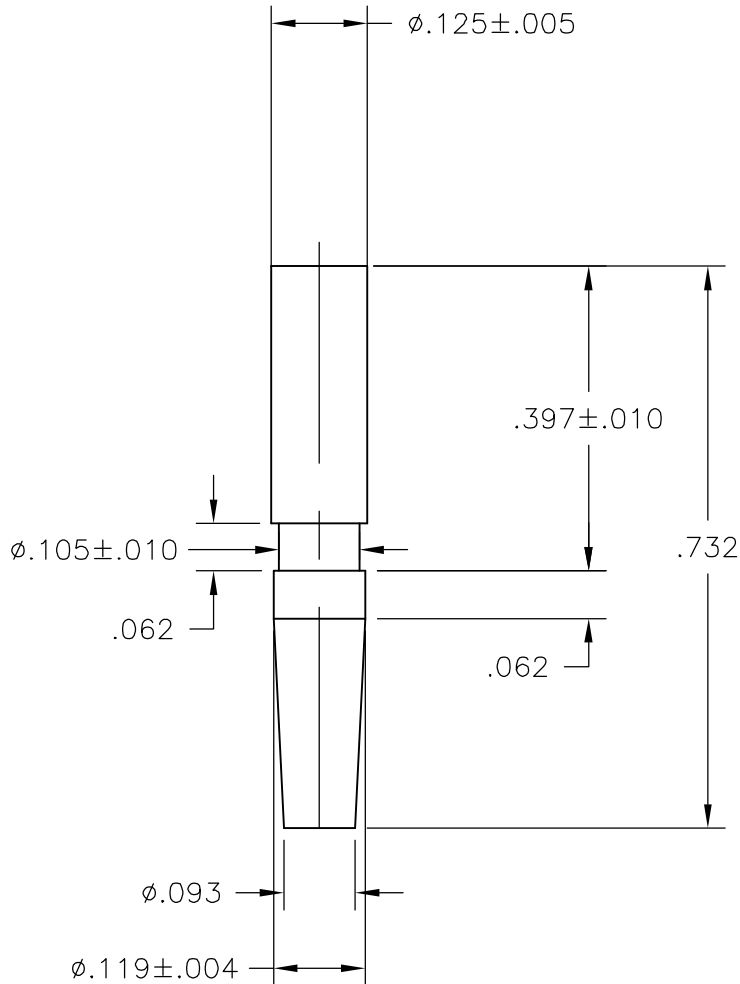


LOC	DIST	REVISIONS					
CM	0	P	LTR	DESCRIPTION	DATE	DWN	APVD
		A		ECO-06-019792	18AUG06	KW	DC



THIS DRAWING IS UNPUBLISHED.

ALL RIGHTS RESERVED.

BY TYCO ELECTRONICS CORPORATION.

© COPYRIGHT

1586417-1
PART NO.

DIMENSIONS: INCHES	DWN	08AUG2006	MATERIAL	NYLON	FINISH	-					
	CHK	K. WHITAKER	08AUG2006	Tyco Electronics Corporation Harrisburg, PA 17105-3608							
TOLERANCES UNLESS OTHERWISE SPECIFIED:	APVD	D. COLEY	08AUG2006								
	PRODUCT SPEC	D. COLEY	08AUG2006	NAME KEYING PLUG, COMMERCIAL MATE-N-LOK(TM)							
0 PLC ± -	APPLICATION SPEC	-	SIZE	A4	CAGE CODE	00779	DRAWING NO	C-1586417	RESTRICTED TO	-	
1 PLC ± -	WEIGHT	-	CUSTOMER DRAWING			SCALE	4:1	SHEET	1 OF 1	REV	A
2 PLC ± -											
3 PLC ± -											
4 PLC ± -											
ANGLES ± -											

